



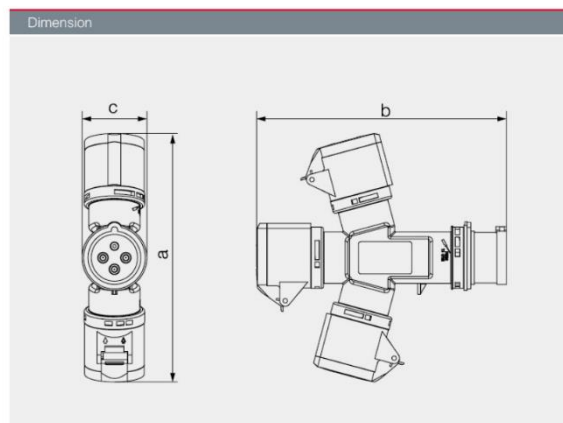
Product Code

VP34002



16A 2P+E 3 Way Industrial Splitter IP44

★ Rated current:16A
★ Rated voltage: AC 100-130~
★ No. of poles: 2P+E
★ Protection degree: IP44
★ Housing material: Flame Retardant PA6 RoHS Reach Contact: nickel-plated brass RoHS Reach
★ Standards: IEC60309-1, IEC60309-2
★ Certificates: S,CB,CE,TUV,ISO9001:2008,RoHS,REACH



Current	16A			32A		
Pole	3	4	5	3	4	5
a	213.5	231	242	268.5	268.5	
b	215.5	235	248	270	270	
c	53.5	61	65.8	72	72	

